

## 圓片瓷介電容器 CERAMIC DISC CAPACITOR

### ■ CT1 〈低壓高介電質常數電容〉系列瓷介電容器:

CT1 〈Low voltage High dielectric constant capacitor〉 series ceramic capacitor:

#### ● 特性 FEATURE:

具有多種溫度級別。適用於作旁路或耦合、低頻損耗和電容量穩定性能要求不高的振頻電路中。

Have various category of T.C are available for by-passing, coupling, low DF and resonant circuit of low stability capacitance.

#### ● 使用溫度範圍見EIA代碼表

Operating Temperature Range, please consider EIA code

#### ● 容量範圍 Capacitance Range:

| 尺寸DMax(mm)<br>Dimension |   | 容量範圍(Capacitance Range) PF |              |               |                |
|-------------------------|---|----------------------------|--------------|---------------|----------------|
|                         |   | Y5P                        | Y5U          | Y5V           | Z5V            |
| 5.0                     | Test<br>Volt<br>-age( $U_R$<br>=50<br>V)  | 100 ~ 1200                 | 470 ~ 1500   | 2200 ~ 4700   | 1000 ~ 5600    |
| 6.0                     |   | 1500 ~ 2200                | 2200 ~ 4700  | 5600 ~ 10000  | 6800 ~ 10000   |
| 7.0                     |   | 2700 ~ 3300                | 3600 ~ 6800  | 8200 ~ 15000  | 15000 ~ 22000  |
| 8.0                     |   | 3600 ~ 4700                | 6800 ~ 10000 | 20000 ~ 22000 | 22000 ~ 25000  |
| 9.0                     |   | 5100 ~ 6800                | 15000        | 25000         | 30000 ~ 100000 |
| 10.0                    |   | 7500 ~ 10000               | 22000        | 33000         | 47000 ~ 200000 |
| 12.0                    |   |                            | 33000        | 47000         | 220000         |
| 14.0                    |   |                            |              | 47000         |                |
|                         |   |                            |              |               |                |
| 6.0                     | Test<br>Volt<br>-age( $U_R$<br>=500<br>V) | 100 ~ 680                  | 470 ~ 1000   | 1000 ~ 1500   | 1500 ~ 2200    |
| 8.0                     |   | 820 ~ 1200                 | 1500 ~ 2000  | 2200 ~ 3300   | 3300 ~ 5600    |
| 10.0                    |   | 1500 ~ 2200                | 2200 ~ 3000  | 4700 ~ 6800   | 6800 ~ 8200    |
| 12.0                    |   | 2200 ~ 4700                | 3300 ~ 5600  | 8200 ~ 10000  | 10000 ~ 15000  |
| 14.0                    |   | 3300 ~ 6800                | 6800 ~ 10000 | 15000         | 22000          |
| 16.0                    |   | 8200 ~ 10000               |              |               |                |

#### ● 工作電壓 operating Voltage: 50 ~ 500V

#### ● 試驗電壓 Test Voltage: $2.5U_R$ .

#### ● 絕緣電阻 I.R.: Insulation resistance $R_i \geq 4000M\Omega$ .

#### ● 損耗角正切值 tangent of loss angel: Y5P: $\text{tg } \delta \leq 0.025$

Y5U、Z5U:  $\text{tg } \delta \leq 0.030$     Y5V、Z5V:  $\text{tg } \delta \leq 0.035$

# 圓片瓷介電容器 CERAMIC DISC CAPACITOR

## • 訂貨方式 HOW TO ORDER

$\frac{CC1}{1}$  —  $\frac{F}{2}$   $\frac{7}{3}$   $\frac{SL}{4}$   $\frac{1}{5}$   $\frac{B}{6}$   $\frac{331}{7}$   $\frac{J}{8}$   $\frac{S}{9}$   $\frac{P}{10}$   $\frac{W}{11}$

### 1、產品類型 Capacitor Type Code

| 類 型           | Type |  |
|---------------|------|--|
| 低壓溫度補償瓷介電容器   | CC1  | Low voltage temperature compensated disk ceramic capacitor   |
| 高壓溫度補償瓷介電容器   | CC81 | High voltage temperature compensated disk ceramic capacitor  |
| 低壓高電介質常數瓷介電容器 | CT1  | Low voltage high dielectric constant disk ceramic capacitor  |
| 高壓高電介質常數瓷介電容器 | CT81 | High voltage high dielectric constant disk ceramic capacitor |
| 半導體瓷介電容器      | CS1  | Semiconductor dielectric insulator disk ceramic capacitor    |
| 交流瓷介電容器       | CT7  | Alternating current disk ceramic capacitor                   |

### 2、額定電壓 Rated voltage

| 代號<br>Letter symbol   | D   | E   | F   | G    | J    | K    | L    | N   | M   | P   | Q   | X      | Y      |
|-----------------------|-----|-----|-----|------|------|------|------|-----|-----|-----|-----|--------|--------|
| 額定電壓<br>rated voltage | 16V | 25V | 50V | 100V | 160V | 250V | 500V | 1KV | 2KV | 3KV | 4KV | 250VAC | 400VAC |

### 3、片徑直徑 Diameter

| 代號 symbol      | 4   | 5   | 6   | 7   | 8   | 9   | 10   | 12   |
|----------------|-----|-----|-----|-----|-----|-----|------|------|
| 直徑diameter(mm) | 4.0 | 5.0 | 6.0 | 7.0 | 8.0 | 9.0 | 10.0 | 12.0 |

### 4、溫度特性見溫度系數及EIA代碼表:

Temperature coefficient: Please consider temperature characteristics and EIA code

### 5、引線形式 Lead style

| 代號 symbol | 引線形式        | Style                       |
|-----------|-------------|-----------------------------|
| 1         | 直腳(長23mm)b式 | Straight lead (length 23mm) |
| 2         | 直腳(長17mm)b式 | Straight lead (length 17mm) |
| 3         | 切腳(短腳)      | Cutting lead (short lead)   |
| 4         | 編帶直腳型(b式)   | Tape straight lead          |
| 5         | 編帶小內彎型(a型)  | Tape small inside kink      |
| 6         | 編帶大內彎型(a型)  | Tape large inside kink      |
| 7         | 雙內彎(c式)     | Double inside kinks         |
| 8         | 雙外彎(c式)     | Double outside kinks        |
| 9         | 外單彎(w式)     | Outside kink                |

## 6、脚距 Lead Spacing

| 代碼 symbol | Lead spacing(mm) |
|-----------|------------------|
| A         | 2.5±0.5          |
| B         | 5.0±0.5          |
| D         | 7.5±0.5          |
| E         | 10.0±0.5         |

## 7、標稱容量 Standard capacitance

| 1R0   | 1PF    | 注：標稱容量以pF為單位，用3位數字表示。前兩位數字表示有效數字，第三位為0的個數；R表示小數點。<br>Note: The unit of standard capacitance if consisting of 3 digits, the first and second digits stand for effective value of the Standard capacitance; third digit indicates the number of zeros; "R" indicates decimal. |
|-------|--------|---|
| 4R7   | 4.7PF  |   |
| 100   | 10PF   |   |
| 560   | 56PF   |   |
| 821   | 820PF  |   |
| 102   | 1000PF |   |
| ----- | -----  |   |

## 8、允許偏差見EIA代碼表：

Capacitance tolerance, Please consider EIA code

| 代號Code      | J   | K    | M    | S         | Z         |
|-------------|-----|------|------|-----------|-----------|
| 誤差Tolerance | ±5% | ±10% | ±20% | +50%/-20% | +80%/-20% |

## 9、包裝形式 Packing style

| 代碼 symbol | 包裝形式 | Packing style |
|-----------|------|---------------|
| T         | 盒帶包裝 | Tape          |
| S         | 散包裝  | bulk          |

## 10、包封形式 Enclosure style

| 代號 code | 包封形式 | Enclosure style |
|---------|------|-----------------|
| E       | 環氧包封 | Epoxy resin     |
| P       | 酚醛包封 | Phenol resin    |

## 11.W-表示無鉛產品 Lead-Free

### • 溫度系數 TEMPERATURE CHARACTERISTICS

| 材料溫度系數及允許偏差:×10 <sup>-6</sup> /°C | 材料               | EIA代碼            | JIS、GB代碼               |
|-----------------------------------|------------------|------------------|------------------------|
| 0±60                              | NP0              | C0H              | CH                     |
| -750±120                          | N750             | U <sub>2</sub> J | UJ or U <sub>2</sub> J |
| +140 ~ -1000                      | P140 ~ N1000(SL) | S <sub>2</sub> L | SL or S <sub>2</sub> L |

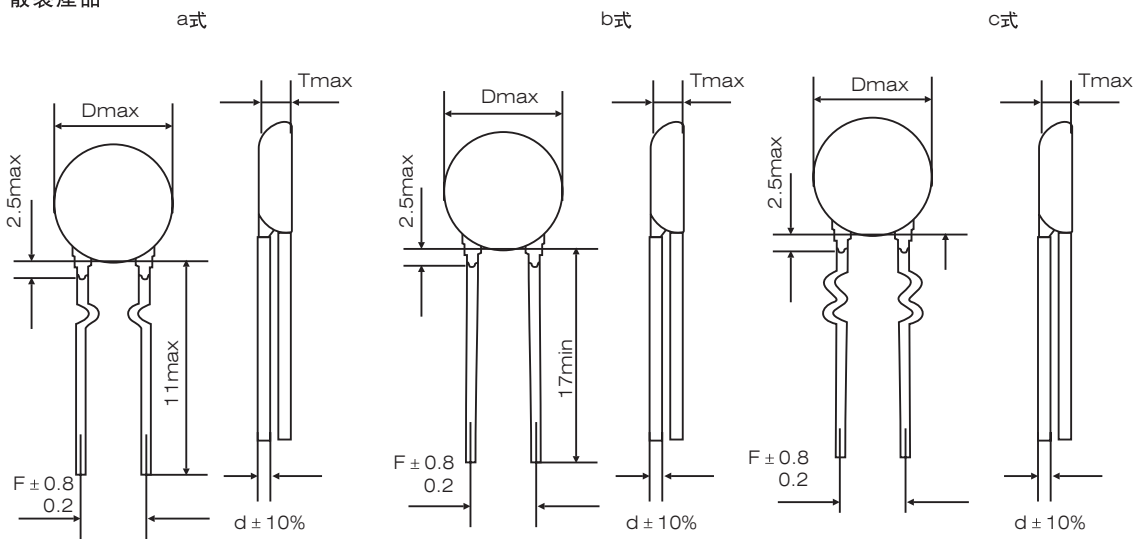
# 圓片瓷介電容器 CERAMIC DISC CAPACITOR

## ● EIA代碼 EIA CODE

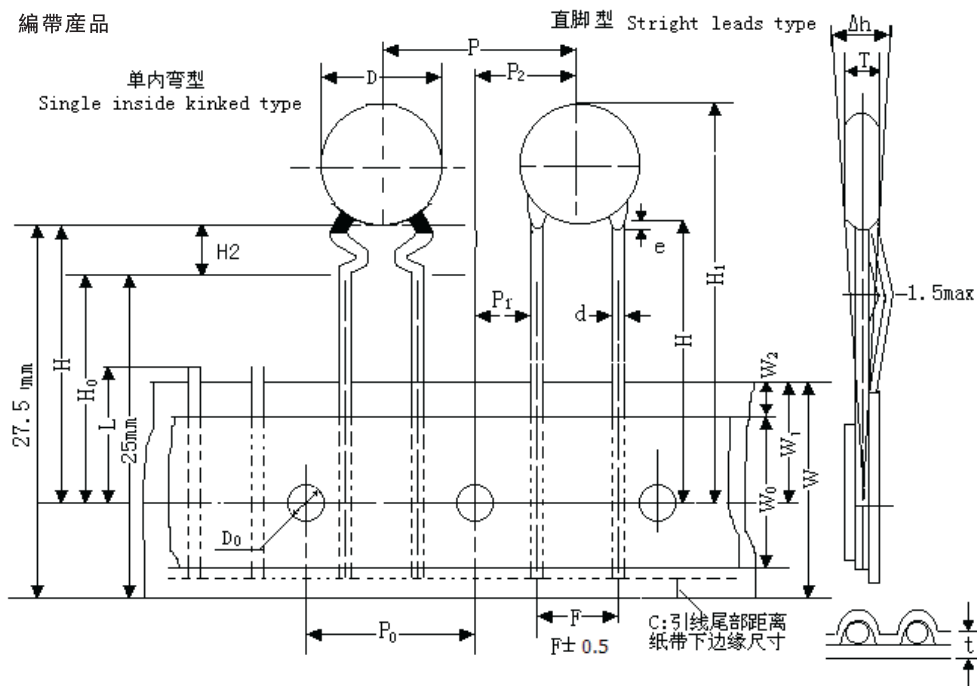
| 第一位數<br>The First Letter | 第二位數<br>The Second Letter | 第三位數<br>The Third Letter |
|--------------------------|---------------------------|--------------------------|
| Y: -25°C                 | 5: +85°C                  | P: ±10%                  |
| Z: +10°C                 | 7: +125°C                 | R: ±15%                  |
|                          |                           | U: +22% -56%             |
|                          |                           | V: +22% -82%             |

## ● 外形尺寸 DIMENSIONS

散裝產品



編帶產品



注：引脚距離和引線形式常規按EIA和JIS的標準執行。同時我們可以根據客戶要求，做出符合客戶使用的引腳距離和引線形式。

NOTE: Lead style and distance are fit of JIS and EIA standard. Other we can produce with customers requirement.